



# ARS 00/60 mm pro

Fuse switch disconnecter

# ARS 00/60 mm pro (160 A, 690 V)

Table 1. Technical data




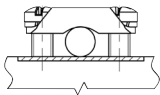
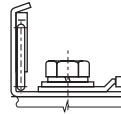
Parameters		ARS 00/60 mm pro	
Rated thermal current $I_{th}=I_n$	A	160	
Rated voltage $U_n$	V	690	
Utilization category	-	AC-22B	AC-23B
Rated switching voltage $U_e$	V	690	400
Rated switching current $I_e$	A	160	
Rated short circuit making current	690 V	kA	80
	500 V		120
Rated short circuit withstand current	690 V	kA	80
	500 V		120
Rated insulation voltage $U_i$	V	1000	
Rated impulse withstand voltage $U_{imp}$	kV	8	
Rated frequency	Hz	50-60	
Mechanical durability	Number of cycles	1600	
Electrical durability		200	
IP degree of protection	IP	30	
Fuse links size	-	00	



Table 2. Versions

Version of ARS 00/60 mm pro		Article No.
<b>three pole switching - all phases simultaneously (for installation on to 60 mm busbar system)</b>		
ARS 00/60 mm pro	cable terminals: bridge terminals with bridge clamps (S) 4-70 mm <sup>2</sup> , screw terminals with M8 screws	63-002354-001
ARS 00/60 mm-T pro	cable terminals: frame type clamps 2,5-50 mm <sup>2</sup>	63-002354-002

Table 3. ARS 00/60 mm pro terminal clamps

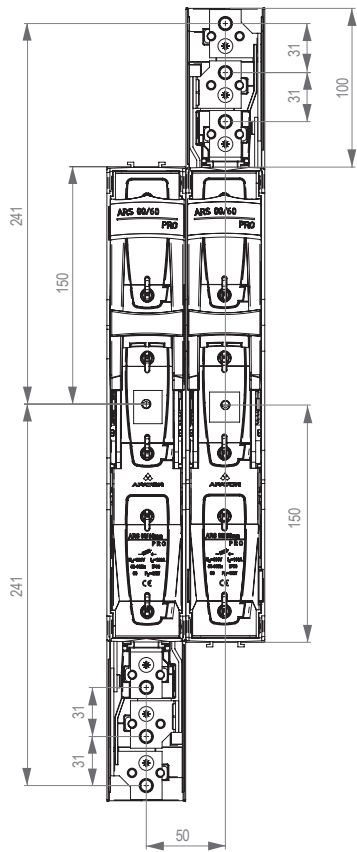
Description	ARS 00/60 mm pro		
Clamp	S-bridge clamp 2 x M5 x 20	M8 screw*	frame clamps
Picture of clamp			
Drawing of clamp			
Cross-section of conductors	4 - 50 mm <sup>2</sup>	Conductor with lug terminal max 95 mm <sup>2</sup>	2,5 - 50 mm <sup>2</sup>
Tightening torque	3 Nm**	10 Nm**	6 Nm**

For stranded conductors using cable ferrules is recommended

\*) Bars of maximum width of 20 mm and maximum thickness of 5 mm can be fixed to M type screw terminals

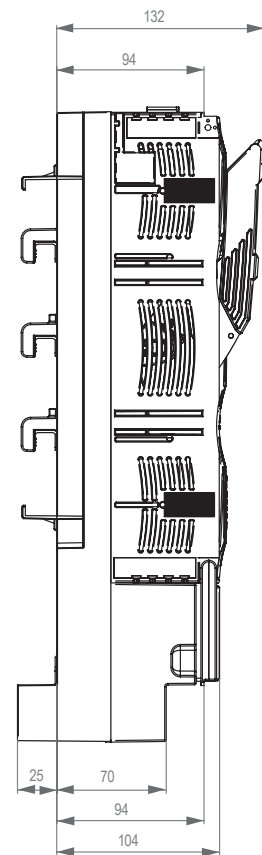
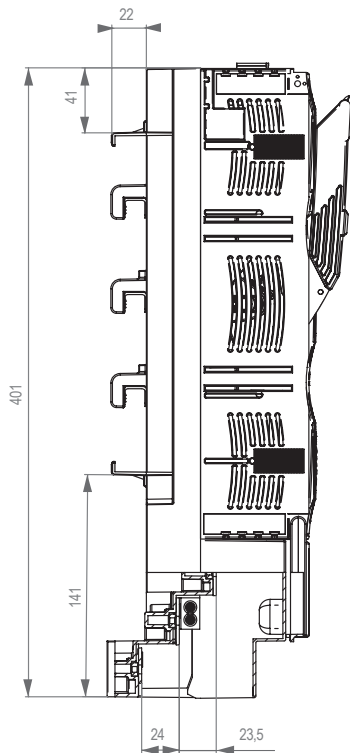
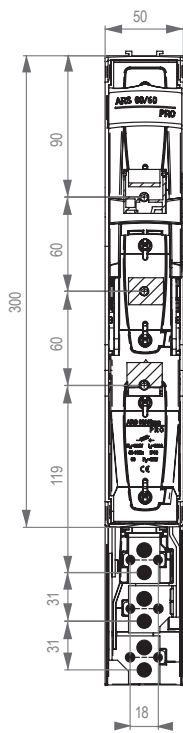
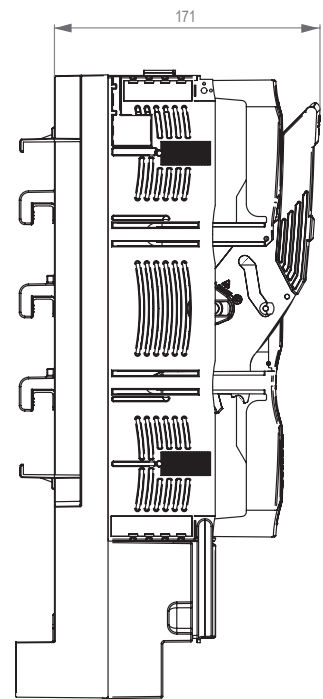
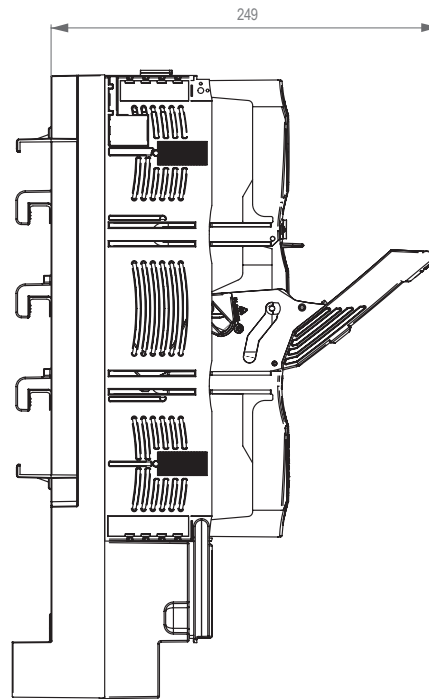
\*\*\*) using tension wrench is recommended

Tighten the Allen screw with a torque of 6 Nm



OPENED

PARKED



the publication is only for information purposes  
and it is not the offer in understanding of the law



**APATOR SA**

ul. Gdańska 4a, lok C4, 87-100 Toruń

Address for correspondence:

Apator S.A. Centrum  
Ostaszewo 57C, 87-148 Łysomice

e-mail [apator@apator.com](mailto:apator@apator.com)

centrala tel. +48 56 61 91 111, fax +48 56 61 91 295

[www.apator.com](http://www.apator.com)

EN.00018/2018